

8 CHANNEL (4 AES) MIXER AND SUBFRAME ROUTER - DA5320

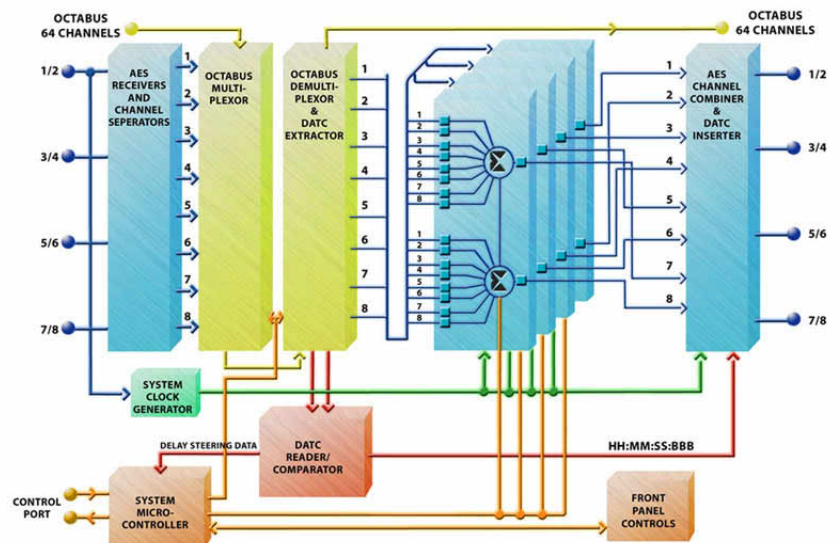
FEATURES

- De-formats AES into single channel streams
- Provides adjustment of input gain and phase
- Provides 64x8 channel routing via OctaBus interface
- Each output channel has an 8 channel mixer
- Allows simple channel swapping across AES signals
- Provides constant AES outputs and conceals input errors
- Performs 'V' fade on input channel framing error
- Simple control via front panel OctaBus interface



The DA5320 is an eight channel (four AES) mixing and single channel routing module. It can be used to easily re-process digital audio signals.

As a member of the Sigma OctaStream product family, the DA5320 includes the OctaBus TDM interconnect. OctaBus provides a method of connecting up to eight OctaStream products via a single bus and sharing 64 audio channels, timing, and status information.



Prices and specifications are subject to change without notice